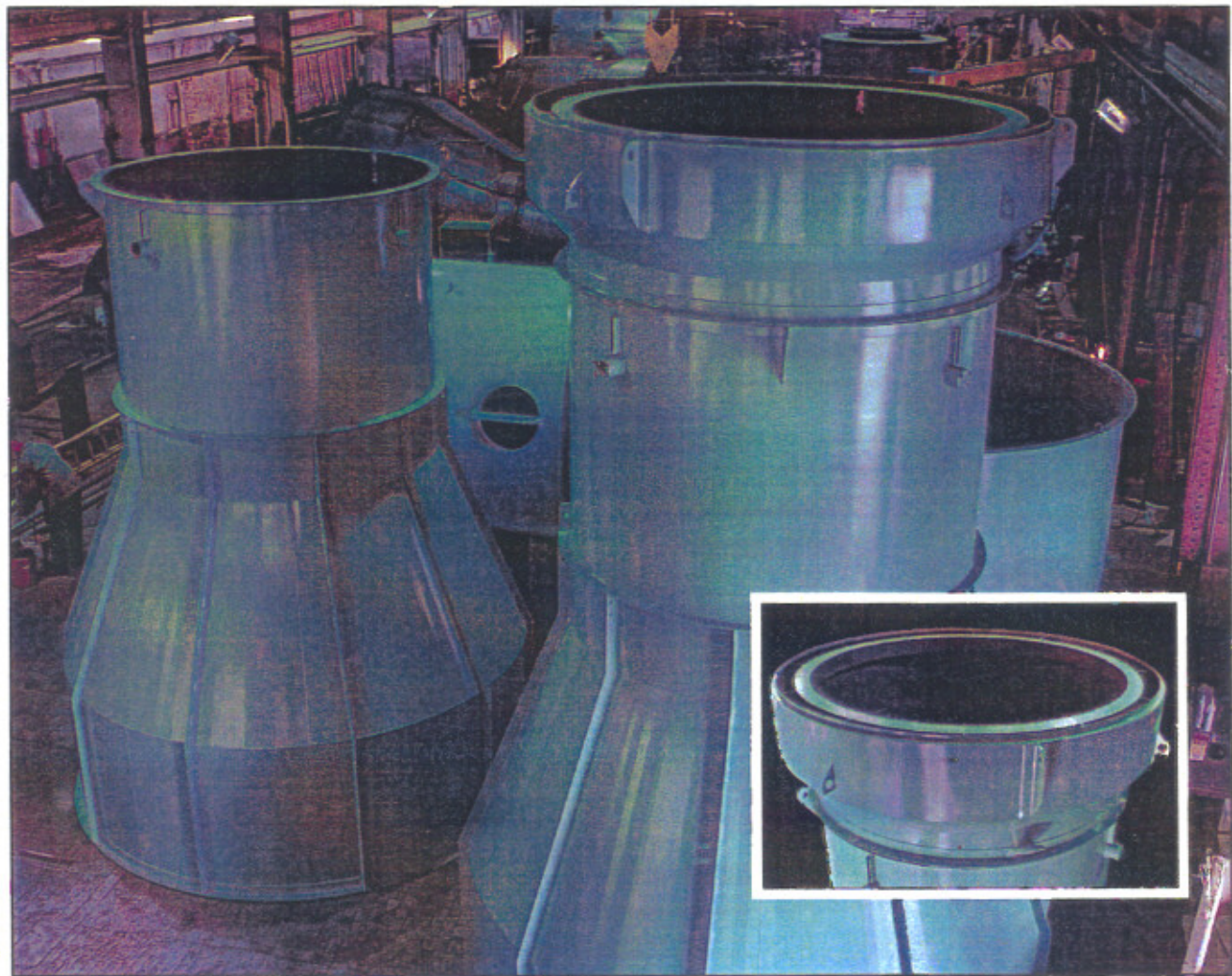


BUSCH STACK SKIMMER

Stack-Mounted Liquid Skimmer



Controls destructive stack rain

The **BUSCH STACK SKIMMER** is the most efficient method available to contain the emission of destructive stack condensation. The **STACK SKIMMER** effectively traps liquid condensate before it leaves the stack, collecting and conveying it to an integrated drainage system.

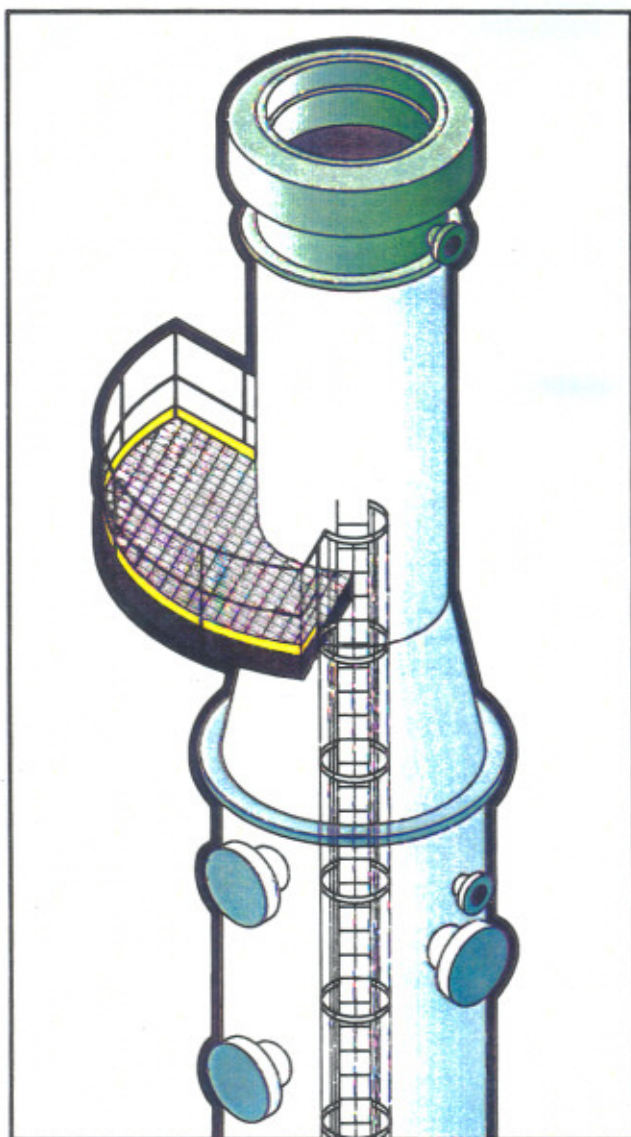
Saturated vapors from wet industrial processes commonly condense, accumulate, and travel up the inside wall of a stack as a standing wave. If left uncontrolled, droplets that have discharged from the stack can quickly fall to the surrounding environment. In addition to contaminating storm water,

this almost always causes permanent staining and costly damage to plant buildings, automobiles, and surrounding property.

The **BUSCH STACK SKIMMER** should be considered an important element in any new or existing stack system handling wet processes. Retrofitting to an existing stack is an ideal solution for minimizing "stack rain" with negligible pressure drop to the system. Its simplicity, efficiency, and ease of installation make it an essential component for new stacks.

DESIGN AND CONSTRUCTION

The **BUSCH STACK SKIMMER** may be custom sized so that it can be easily attached by bolting to a stack flange. **BUSCH International** can also provide companion flanges for those applications where no stack flange exists. The **SKIMMER** can be constructed of any specified metal or non-metallic material. Assorted protective paints and coatings are available. The **STACK SKIMMER** can be modified to meet most velocity requirements and can be manufactured to suit virtually any application.

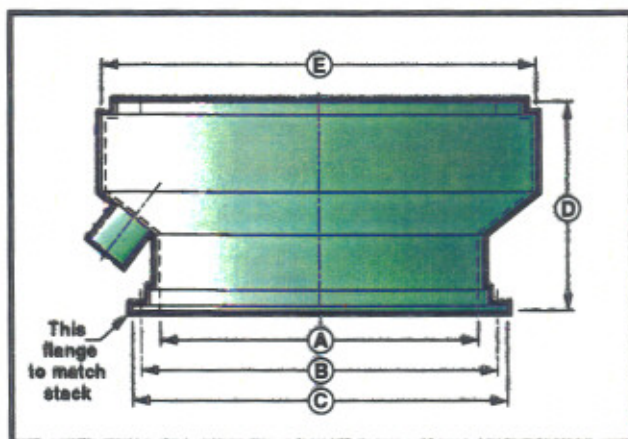


10431 Perry Highway
Wexford, PA 15090
Phone: 724.940.2326
Fax: 724.940.4140

DIMENSIONAL DATA

SIZE	A	B	C	D	E
36"	3'-0"	3'-2"	3'-4"	2'-2"	4'-2"
42"	3'-6"	3'-10"	4'-0"	2'-2"	4'-8"
48"	4'-0"	4'-4"	4'-6"	2'-2"	5'-2"
54"	4'-6"	4'-10"	5'-0"	2'-6"	5'-6"
60"	5'-0"	5'-4"	5'-6"	2'-6"	6'-4"
72"	6'-0"	6'-4"	6'-6"	2'-8"	7'-4"

Square or rectangular **STACK SKIMMERS** are also available.



The **BUSCH STACK SKIMMER** provides a solution for diminishing the harmful effects of wet-process stack emissions. For example, the reduction of localized oil emissions controls damage to painted surfaces of nearby buildings and automobiles.

ACCESSORIES AND OPTIONS

- Electric heat tracing/insulation
- Steam heat tracing/insulation
- Stainless steel construction
- FRP construction
- Special protective coatings
- Reacceleration cones
- Aircraft warning beacons
- Lightning rods
- Spray cleaning systems
- Flange gaskets of Viton, Buna-N, or specified material